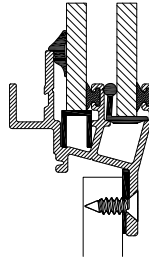
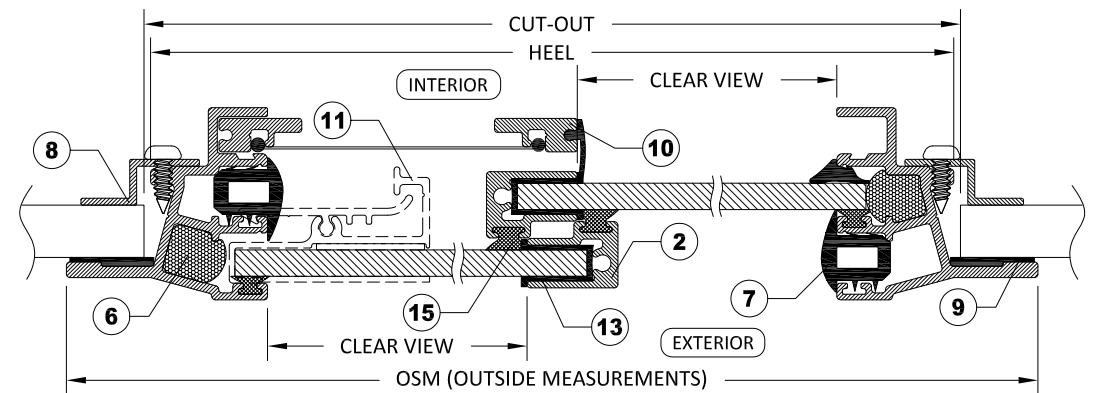


SECTION B-B WITH CLAMP IN INSTALLATION

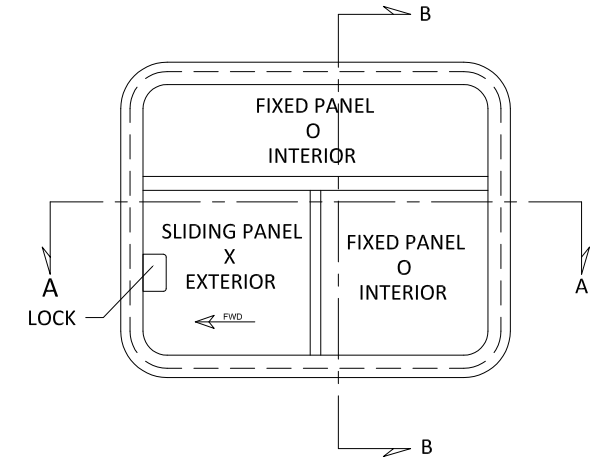
ITEMS			
ID	DESCRIPTION	MATERIAL	PART NUMBER
1	MOUNTING FRAME	6063 ALUMINUM	MT - EX17699
2	T-BAR	6063 ALUMINUM	MT - EX785543
3	"O" TRACK	RIDGID PVC	AD - VY111
4	D15 TRACK	RIDGID PVC	AD - VY497
5	GLAZING	GLASS 6mm (1/4")	
6	BACKER ROD	CLOSED CELL FOAM BACKER	AD - BR1/2
7	PLUG/STOP	PLYABLE PLASTIC	AD - VY860
8	TRIM RING	6063 ALUMINUM	
9	BEDDING COMPOUND	CUSTOMER SUPPLY	
10	SCREEN (OPTIONAL)	6063 ALUMINUM	
11	LOCK	6063 ALUMINUM	HW - LS5545
12	TRIM SCREWS	S/S	
13	VENT VINYL	SANTOPRENE	AD - VYPT190M
14	O90 GLAZING SPLINE	PLYABLE PLASTIC	AD - VY2465
15	T-BAR WEATHER STRIP W/O FIN	HAIR	AD - WS270_7532
16	WEATHER STRIP W/O FIN	HAIR	AD - WS187_8335D5
17	D15 T MULLION	6063 ALUMINUM	MT - EX17817
18	GLAZING	SANTOPRENE	AD VY3255
19	BUTYL TAPE		ADTA1/8X3/8B
20	BACKFILL	URETHANE	
21	SEALANT	SILICONE	



OPTIONAL BOLT-ON INSTALLATION



SECTION A-A WITH CLAMP IN INSTALLATION



STANDARD DIMENSIONS		
ID	DESCRIPTION	DIMENSION
A	FLANGE COVERAGE	19mm (3/4")
B	EXTERIOR PROTRUSION	9mm (3/8")
C	INTERIOR PROTRUSION	35mm (1 3/8")
D	SPIGOT TO CLEAR VIEW	37mm (1 7/16")
E	FLANGE THICKNESS	4mm (3/16")

NOTES:
 -GENERAL HEEL TOLERANCE +0/-1/4" OVERALL
 -AVAILABLE WITH 2 1/2" (63mm), 3" (76mm), 3 1/2" (90mm) RADIUS OR MITERED CORNERS
 -STANDARD MOUNTING HOLES ARE 3/16" WITH #10 COUNTERSUNK ON 6" NOMINAL CENTERS

DRAWING NUMBER		D15T	
SCALE	NTS	BY	LD

DIAMOND SEA GLAZE MANUFACTURING LTD.
 26995 GLOUCESTER WAY, LANGLEY B.C.
 CANADA V4W 3Y3
 TOLL FREE: 1-800-770-0455
 PHONE: 604-607-0091
 FAX: 604-607-0092

dSg Diamond Sea Glaze
Crystal Clear. Rock Solid.

ITEM NAME	D15T	REVISION	0
ITEM DESCRIPTION	MEDIUM DUTY		

ALL DRAWINGS AND ANY ASSOCIATED INFORMATION HEREON CONTAIN PROPRIETARY AND/OR CONFIDENTIAL INFORMATION, AND SHALL NOT BE REPRODUCED, DISCLOSED OR SUBMITTED TO ANY THIRD PARTY WITHOUT PRIOR CONSENT FROM DIAMOND SEA GLAZE MANUFACTURING LTD.