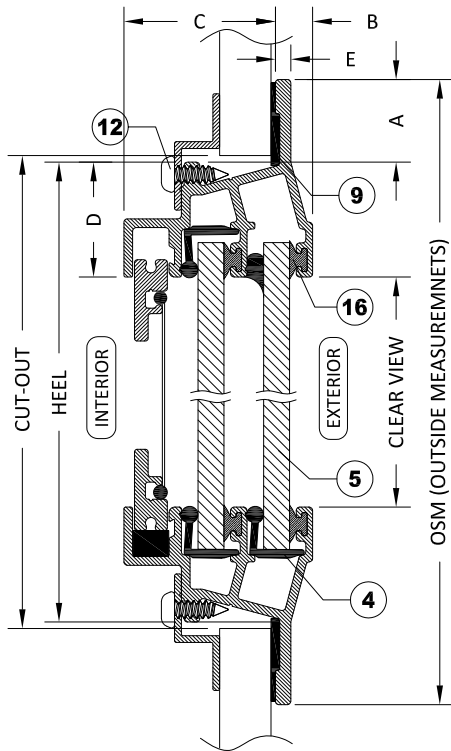
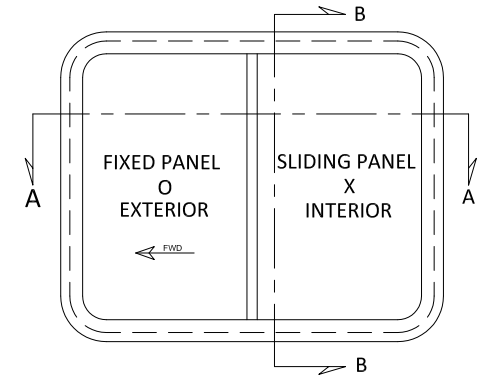


OPTIONAL BOLT-ON INSTALLATION

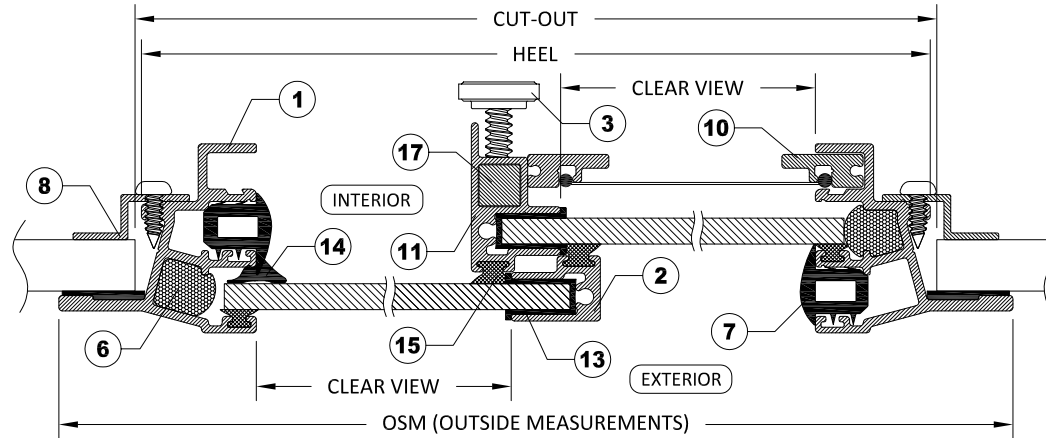


SECTION B-B WITH CLAMP IN INSTALLATION

ITEMS			
ID	DESCRIPTION	MATERIAL	PART NUMBER
1	MOUNTING FRAME	6063 ALUMINUM	MT - EX18193
2	T-BAR	6063 ALUMINUM	MT - EX785543
3	MULTI LOCK KNOB		HW - LS5554
4	D15 TRACK	RIDGID PVC	AD - VY497
5	GLAZING	GLASS 6mm (1/4")	
6	BACKER ROD	CLOSED CELL FOAM BACKER	AD - BR1/2
7	PLUG/STOP	PLYABLE PLASTIC	AD - VY860
8	TRIM RING	6063 ALUMINUM	
9	BEDDING COMPOUND	CUSTOMER SUPPLY	
10	SCREEN (OPTIONAL)	6063 ALUMINUM	
11	D10 MULTILOCK BAR	6063 ALUMINUM	MT - EX31649
12	TRIM SCREWS	S/S	
13	T-BAR VINYL	SANTOPRENE (SOME CONFIG.)	AD - VYPT190M
14	090 GLAZING SPLINE	FLEXIBLE PVC (SOME CONFIG.)	AD - VY2465
15	WEATHER STRIP	HAIR	AD - WS270_7532
16	WEATHER STRIP W/O FIN	HAIR	AD - WS187_8335D5
17	MULTI LOCK PIN	6063 ALUMINUM	HW - CU6012



STANDARD DIMENSIONS		
ID	DESCRIPTION	DIMENSION
A	FLANGE COVERAGE	19MM (3/4")
B	EXTERIOR PROTRUSION	9MM (3/8")
C	INTERIOR PROTRUSION	35MM (1 3/8")
D	SPIGOT TO CLEAR VIEW	27MM (1 1/16")
E	FLANGE THICKNESS	4MM (3/16")



SECTION A-A WITH CLAMP IN INSTALLATION

NOTES:

- GENERAL HEEL TOLERANCE +0/-1/4" OVERALL
- AVAILABLE WITH 2 1/2" (63mm), 3" (76mm), 3 1/2" (89mm) RADIUS OR MITERED CORNERS
- STANDARD MOUNTING HOLES ARE 3/16" WITH #10 COUNTERSUNK ON 6" NOMINAL CENTERS

DRAWING NUMBER

D10

DIAMOND SEA GLAZE MANUFACTURING LTD.  
26995 GLOUCESTER WAY, LANGLEY B.C.  
CANADA V4W 3Y3  
TOLL FREE: 1-800-770-0455  
PHONE: 604-607-0091  
FAX: 604-607-0092

SCALE

NTS

BY

LD



**Diamond Sea Glaze**

*Crystal Clear. Rock Solid.*

ITEM NAME

D10

REVISION

0

ITEM DESCRIPTION

MEDIUM DUTY

ALL DRAWINGS AND ANY ASSOCIATED INFORMATION HEREON CONTAIN PROPRIETARY AND/OR CONFIDENTIAL INFORMATION, AND SHALL NOT BE REPRODUCED, DISCLOSED OR SUBMITTED TO ANY THIRD PARTY WITHOUT PRIOR CONSENT FROM DIAMOND SEA GLAZE MANUFACTURING LTD.