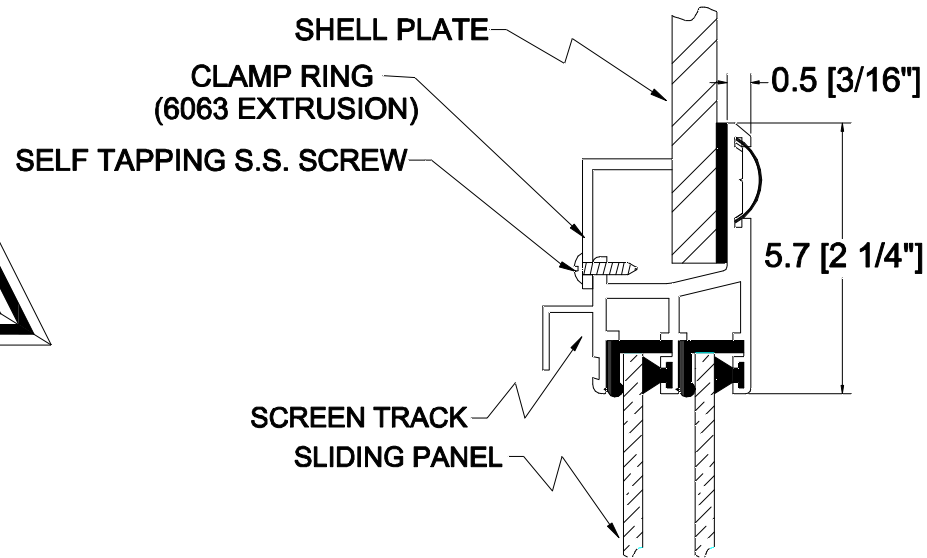


- - DENOTES FORWARD
- X - DENOTES SLIDING PANEL
- O - DENOTES FIXED PANEL

AVAILABLE EITHER FWD, AFT OR BOTH PANELS SLIDING

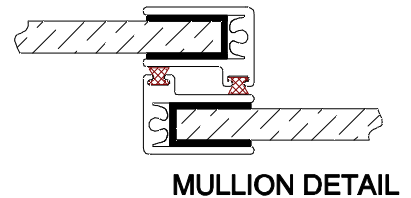
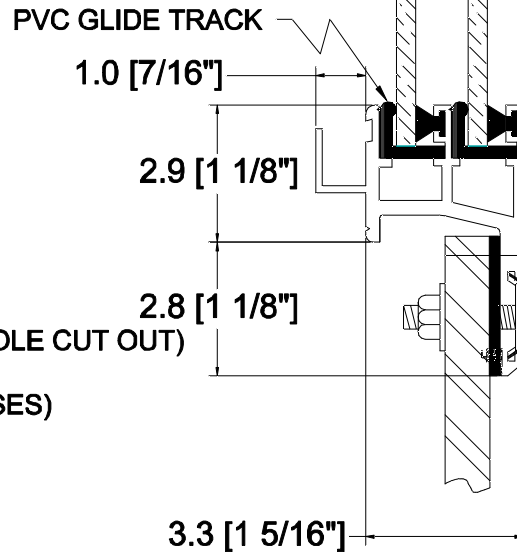
### GENERAL NOTES

- 1) SPECIFY GLAZING, TYPE, AND TINT. THICKNESS: 6mm(1/4")
- 2) MITRED CORNERS ONLY
- 3) SPECIFY PLATE CUT DIMENSION OR SUPPLY TEMPLATE. (HOLE CUT OUT)
- 4) SPECIFY BOLT-IN OR CLAMP-IN STYLE FRAME  
(CLAMP RINGS AVAILABLE FOR MOST BULKHEAD THICKNESSES)
- 5) SPECIFY WALL THICKNESS FOR CLAMP-IN STYLE.
- 6) FASTENERS FOR BOLT-IN STYLE BY SHIPYARD.
- 7) SPECIFY INSIDE OR OUTSIDE VIEW.
- 8) SPECIFY MILL FINISH, ANODIZED OR PAINTED FRAMES.
- 9) SPECIFY FORWARD AND TOP
- 10) SPECIFY SLIDING PANEL.



EXTERIOR

INTERIOR



## 50S WINDOW

AVAILABLE IN  
MITRED CORNERS ONLY

(6063 EXTRUSION)

BOLT ON INSTALLATION

TYPICAL BOLT-IN INSTALLATION



**DIAMOND/SEA-GLAZE**

PHONE: (604) 607-0091 FAX: (604) 607-0092

|          | DATE                                    | NAME | PROJECT | CLIENT     |
|----------|---|------|---------|------------|
| DRAWN    | 03/29/04                                | JH   |         |            |
| REVISION |   |      |         |            |
| SCALE    | TITLE                                   |      |         | DWG. NO.   |
| NTS      | SERIES 50S<br>HORIZONTAL SLIDING WINDOW |      |         | SER50S.DWG |