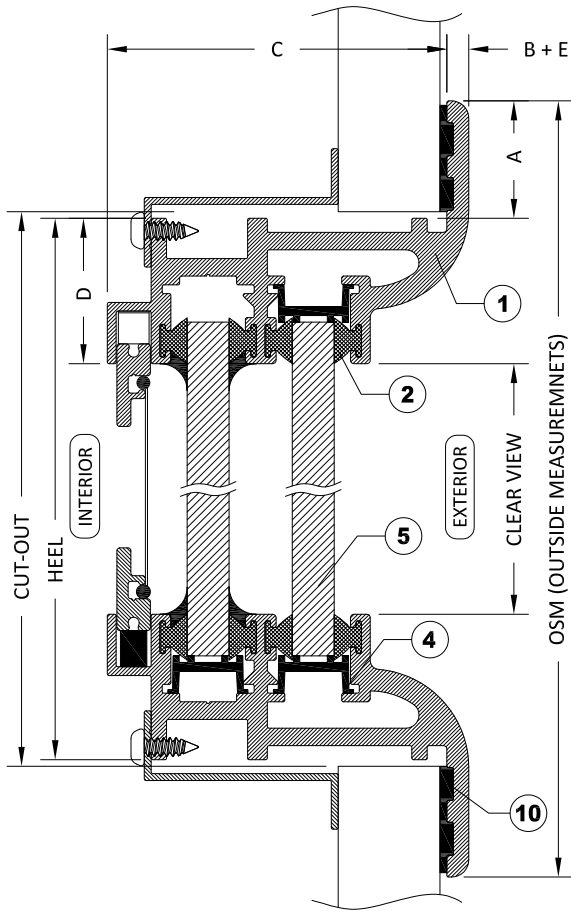
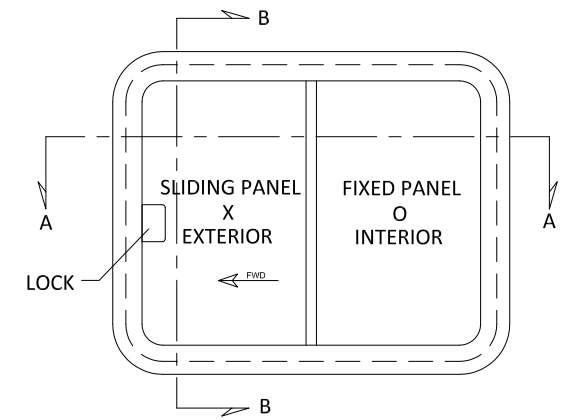
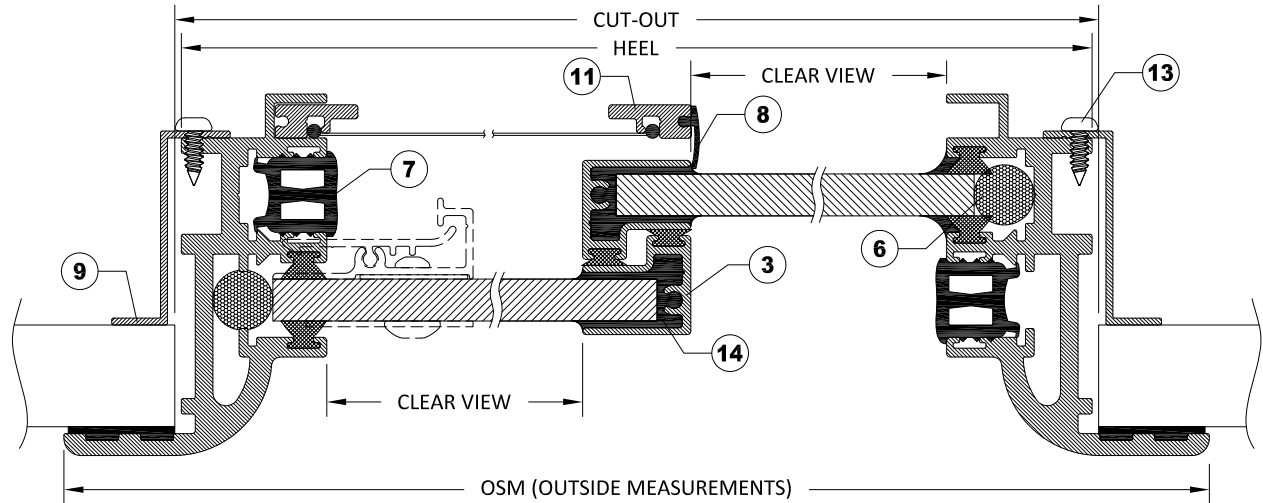


OPTIONAL BOLT-ON INSTALLATION

| ITEMS | | | |
|-------|---------------------------|-------------------|-------------------|
| ID | DESCRIPTION | MATERIAL | PART NUMBER |
| 1 | MOUNTING FRAME | 6063 ALUMINUM | MT-EX22368 |
| 2 | T-BAR WEATHER STRIP W/FIN | HAIR | AD - WS187_8335D5 |
| 3 | T-BAR | 6063 ALUMINUM | MT-EX23632 |
| 4 | TRACK | RIDGID PVC | AD-VY1802 |
| 5 | GLAZING | GLASS 13mm (1/2") | |
| 6 | BACKER ROD | FOAM | AD - BR5/8 |
| 7 | PLUG/STOP | FLEXIBLE PVC | AD-VY2170B |
| 8 | T-BAR FLAP | FLEXIBLE PVC | AD-VY1801 |
| 9 | TRIM RING | 6063 ALUMINUM | |
| 10 | BEDDING COMPOUND | CUSTOMER SUPPLY | |
| 11 | SCREEN (OPTIONAL) | 6063 ALUMINUM | |
| 12 | LOCK | NYLON | HW-LS5546 |
| 13 | TRIM SCREWS | | |
| 14 | SEALANT | SILICONE | |



SECTION B-B WITH CLAMP IN INSTALLATION



SECTION A-A WITH CLAMP IN INSTALLATION

| STANDARD DIMENSIONS | | |
|---------------------|----------------------|----------------|
| ID | DESCRIPTION | DIMENSION |
| A | FLANGE COVERAGE | 27mm (1 1/16") |
| B | EXTERIOR PROTRUSION | 5mm (3/16") |
| C | INTERIOR PROTRUSION | 76mm (3") |
| D | SPIGOT TO CLEAR VIEW | 33mm (1 5/16") |
| E | FLANGE THICKNESS | 5mm (3/16") |

NOTES:

- GENERAL HEEL TOLERANCE +0/-1/4" OVERALL
- AVAILABLE WITH 4"(102MM) RADIUS OR MITERED CORNERS
- STANDARD MOUNTING HOLES ARE 3/16" WITH #10 COUNTERSUNK ON 6" NOMINAL CENTERS

DRAWING NUMBER

150S

DIAMOND SEA GLAZE MANUFACTURING LTD.
26995 GLOUCESTER WAY, LANGLEY B.C.
CANADA V4W 3Y3
TOLL FREE: 1-800-770-0455
PHONE: 604-607-0091
FAX: 604-607-0092

SCALE

NTS

BY

LD



Diamond Sea Glaze

Crystal Clear. Rock Solid.

ITEM NAME

150S

REVISION

0

ITEM DESCRIPTION

YACHT WINDOWS

ALL DRAWINGS AND ANY ASSOCIATED INFORMATION HEREON CONTAIN PROPRIETARY AND/OR CONFIDENTIAL INFORMATION, AND SHALL NOT BE REPRODUCED, DISCLOSED OR SUBMITTED TO ANY THIRD PARTY WITHOUT PRIOR CONSENT FROM DIAMOND SEA GLAZE MANUFACTURING LTD.