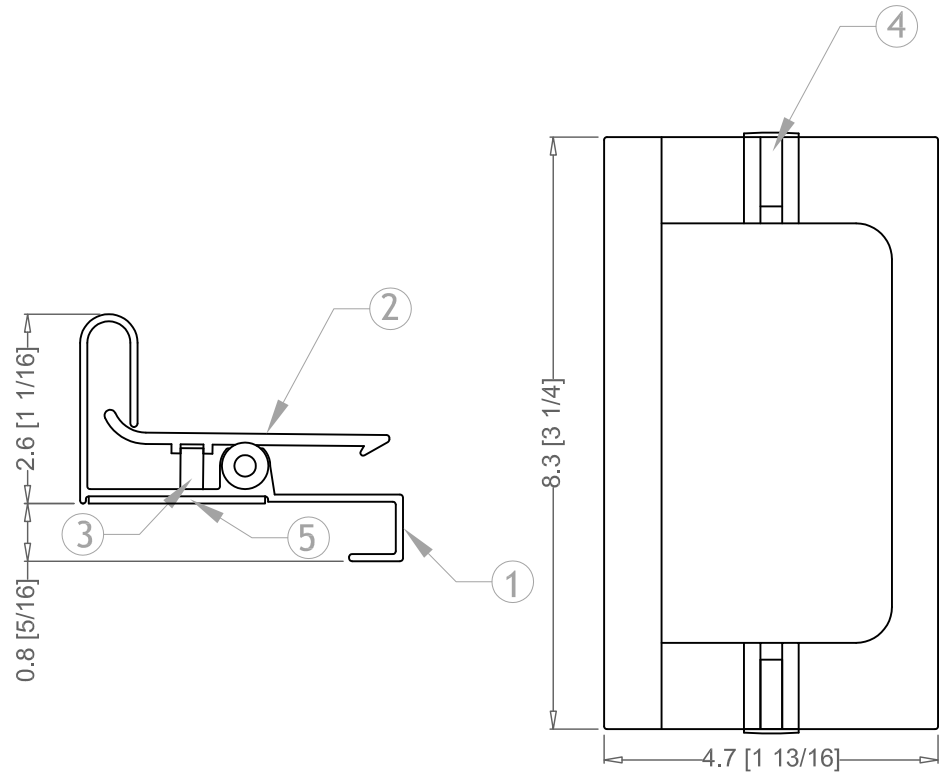


| ITEM                       | DESCRIPTION                      | PART #        | QTY | UOM  |
|----------------------------|----------------------------------|---------------|-----|------|
| 1                          | D15 LOCK BASE HIGH (3/4")        | MT-EX670961   | 1   | EACH |
| 2                          | HANDLE BIRDIE (2 1/4")           | MT-EX780469   | 1   | EACH |
| 3                          | STAINLESS STRIP .020 X .125 (2") | SS-DC1069     | 1   | EACH |
| 4                          | POP RIVETS 3/32 X 1/4 S/S (2")   | FA-MI3726     | 1   | EACH |
| 5                          | HANDLE TAPE 1" X 36Y (3/4")      | AD-TA7026     | 1   | EACH |
| SOLD AS COMPLETE UNIT ONLY |                                  | PT# 8W-LS5545 |     |      |



**DIAMOND/SEA-GLAZE**

PHONE: (604) 607-0091 FAX: (604) 607-0092

TITLE D15 HANDLE (HIGH PROFILE)  
PT# 8W-LS5545

DRAWN 12/13/05

BY RH

REVISION 1