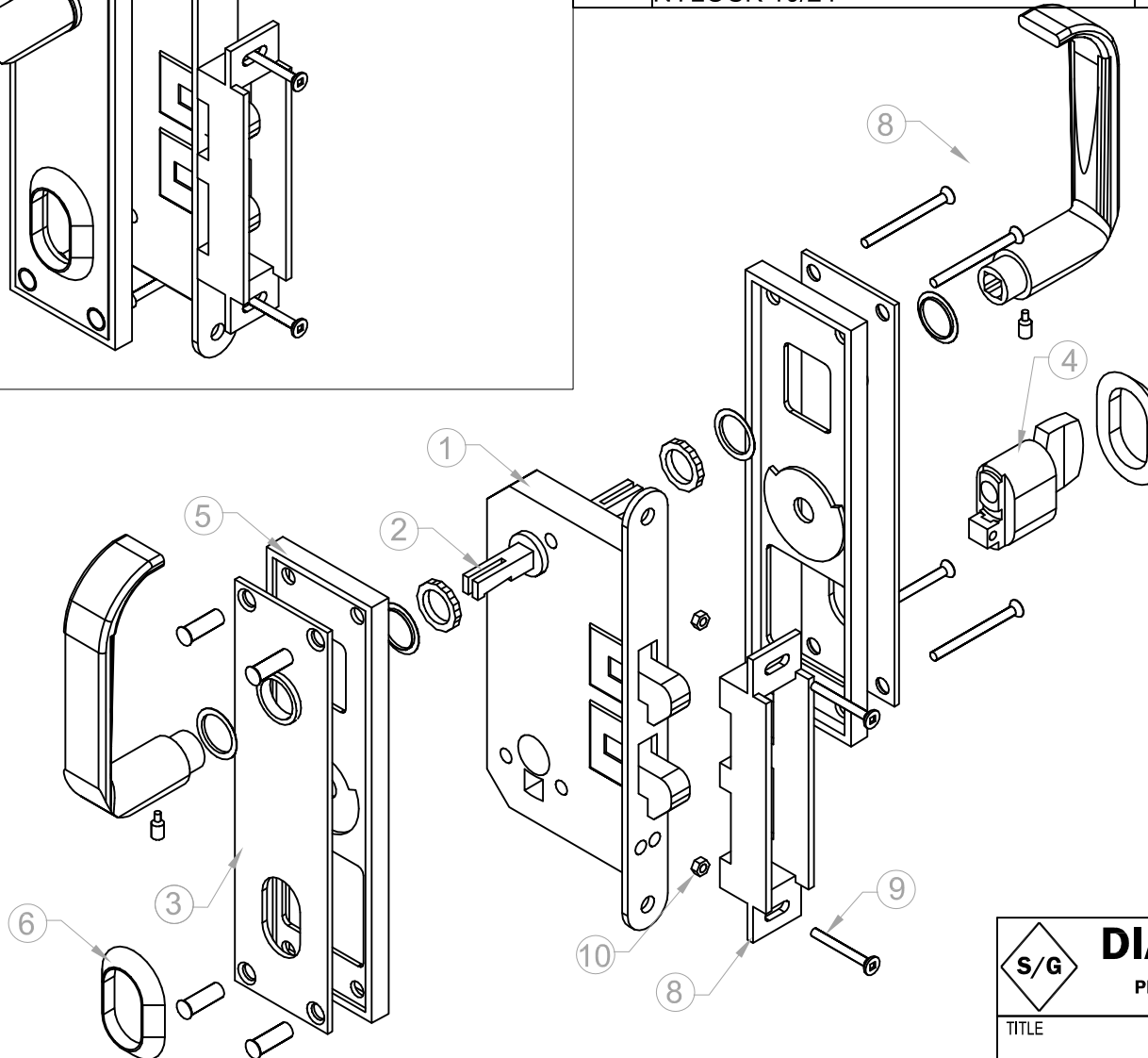


ITEM	DESCRIPTION	PART #	QTY	UOM
1	5382.8 LH LOCKCASE	HW-LS/SLIDE	1	EACH
2	TV 89MM HANDLE	HW-LS7363208	1	EACH
3	S/S ESCUTCHEON PLATES	HW-LS8400505	1	EACH
4	CYLINDER THUMB TURN	HW-LS8402463	1	EACH
5	BLACK SPACER PLATES	HW-LS8402486	2	EACH
6	6MM CYLINDER COLLAR	HW-LS8405077	2	EACH
7	FH SOC 10/24 X 1/2	FA-FH/S3016	2	EACH
8	D300 KEEPER	HW-CU6015	1	EACH
9	FH SOC 10/24 X 1 1/4	FA-FH/S3014	2	EACH
10	NYLOCK 10/24	FA-NUT3502	2	EACH



300X SLIDING DOOR  
LHS



**DIAMOND/SEA-GLAZE**

PHONE: (604) 607-0091 FAX: (604) 607-0092

TITLE

TRIOVING 5382.8 LHS

DRAWN 04/11/06

BY RH

REVISION 1