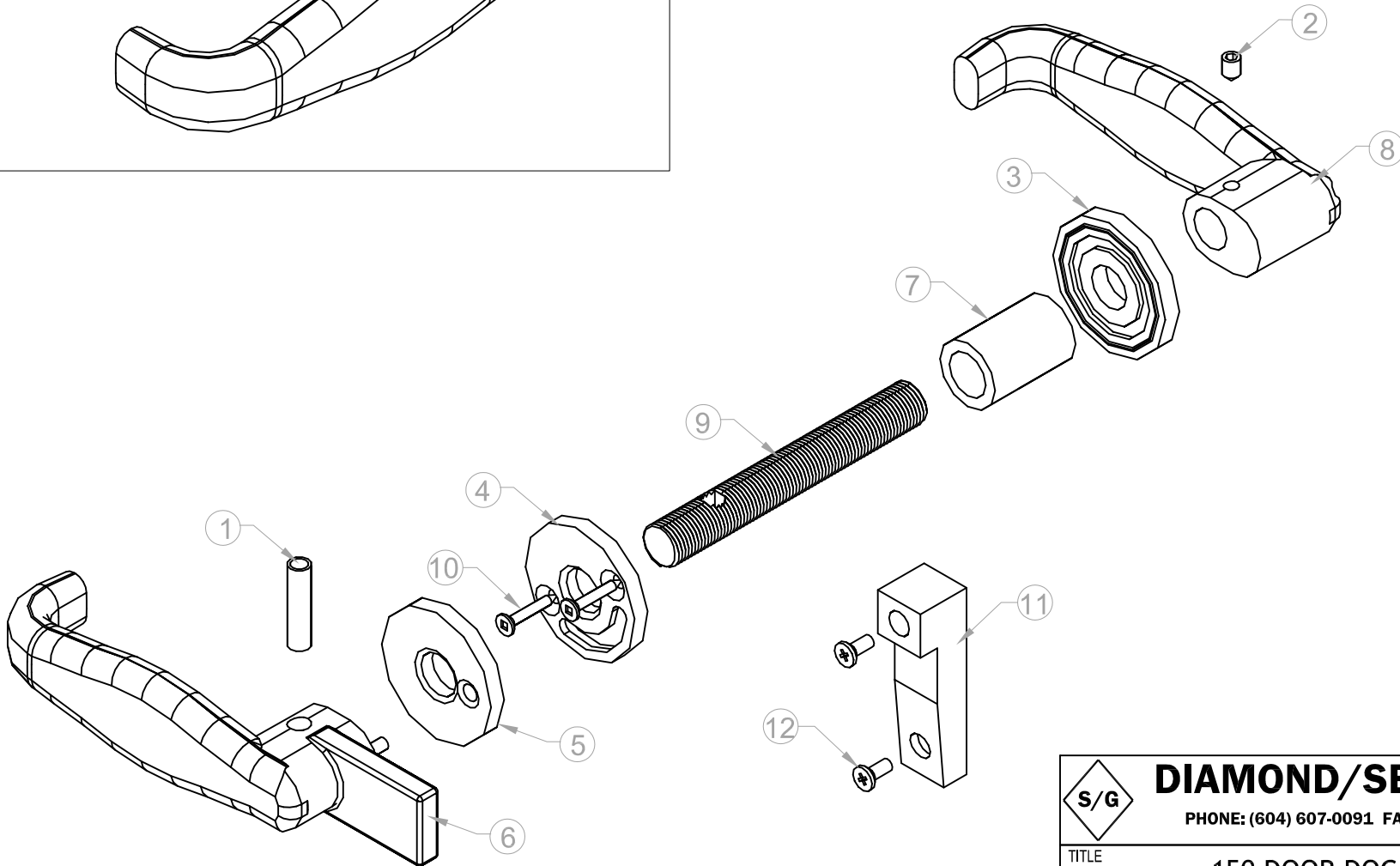


| ITEM | DESCRIPTION | PART # | QTY | UOM |
|------|---|--------------|-----|------|
| 1 | SPLIT PIN $\frac{5}{16}$ X $1\frac{1}{4}$ | FA-MI3705 | 1 | EACH |
| 2 | SET SCREW $\frac{1}{4}$ 20 X $\frac{3}{8}$ CONE | FA-MI3712 | 1 | EACH |
| 3 | SOLID WASHERS W/RINGS | FA-WA3412 | 1 | EACH |
| 4 | DOG WASHER 2 HOLE | FA-WADIA002 | 1 | EACH |
| 5 | DOG WASHER 1 HOLE | FA-WADIA004 | 1 | EACH |
| 6 | THREADED INSIDE DOG - RAW | HW-CUDIA008 | 1 | EACH |
| 7 | DOOR BUSHING 1 7/16 | HW-CUDIA0016 | 1 | EACH |
| 8 | THREADED OUTSIDE DOG - RAW | HW-CUDIA024 | 1 | EACH |
| 9 | DOG SHAFT 150 COMPLETE | HW-LS5544 | 1 | EACH |
| 10 | FH SOC 8 X 1 | FA-FH/23036 | 2 | EACH |
| 11 | DOG SLED | HW-CUDIA003 | 1 | EACH |
| 12 | FH SOC 10/24 X 1/2 | FA-FH/S3016 | 2 | EACH |



DIAMOND/SEA-GLAZE

PHONE: (604) 607-0091 FAX: (604) 607-0092

TITLE

150 DOOR DOG (LH)

DRAWN 12/15/05

BY RH

REVISION 1