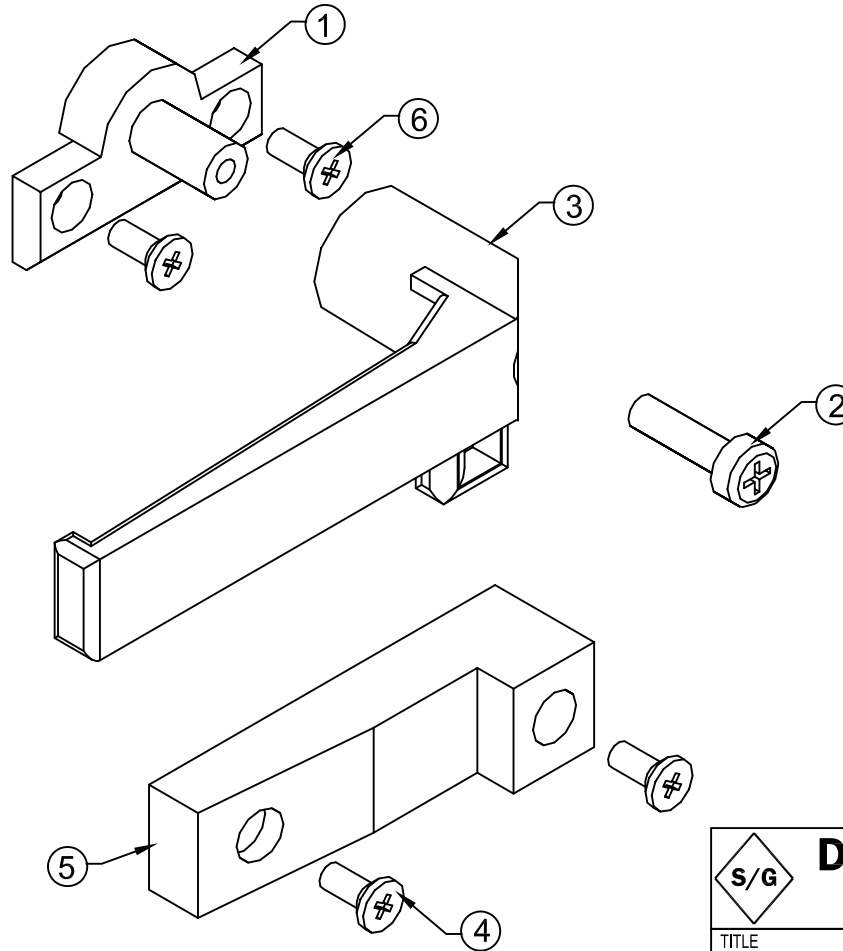


ITEM	DESCRIPTION	PART #	QTY	UOM
1	CAM HANDLE PIVOT	HW-LSDIA013	1	EACH
2	SET SPH PHIL 6 X 20	FA-PH/P3131	1	EACH
3	CAM HANDLE LH	HW-LSDIA006LH	1	EACH
4	FH SOC 10/24 X 3/8	FA-FH/S3049	2	EACH
5	DOG SLED	HW-CUDIA003	1	EACH
6	FH SOC 10/24 X 1/2	FA-FH/S3016	2	EACH



DIAMOND/SEA-GLAZE

PHONE: (604) 607-0091 FAX: (604) 607-0092

TITLE

106 CAM HANDLE LH

DRAWN 05/01/06

BY RH

REVISION 1