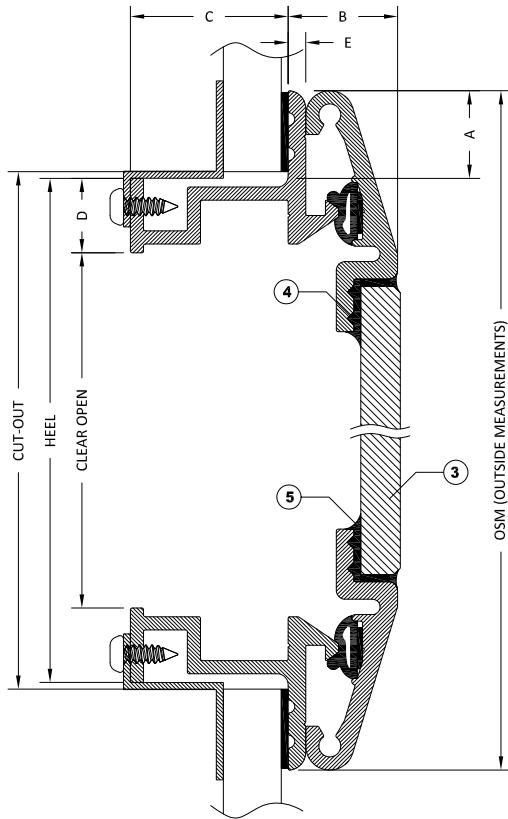
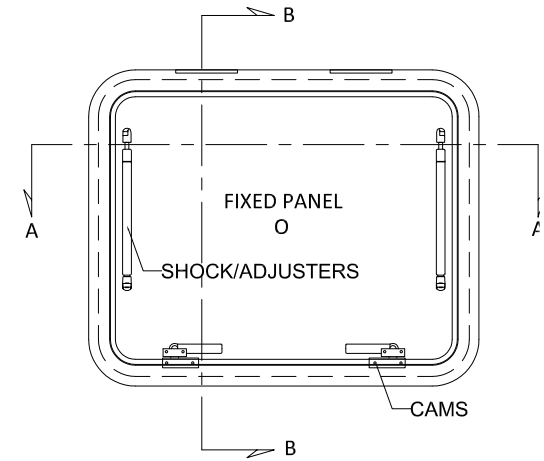


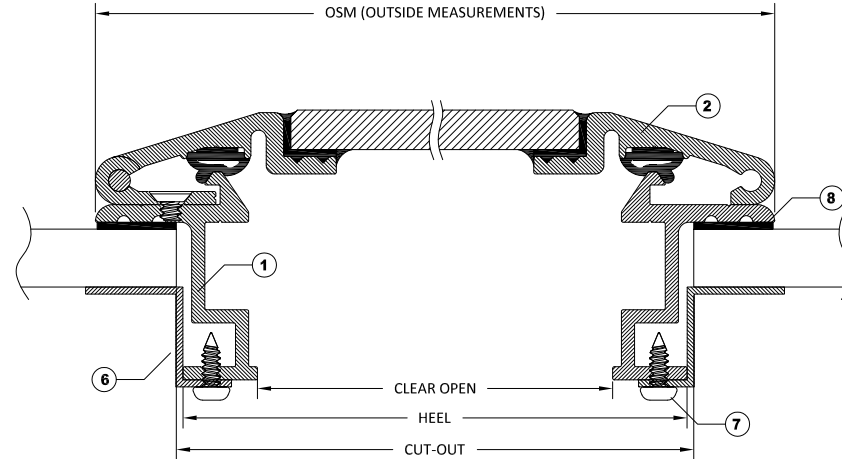
OPTIONAL BOLT-ON INSTALLATION

| ITEMS | | | |
|-------|------------------|---------------------------------|--------------|
| ID | DESCRIPTION | MATERIAL | PART NUMBER |
| 1 | MOUNTING FRAME | 6063 ALUMINUM | MT - EX13769 |
| 2 | INSERT | 6063 ALUMINUM | |
| 3 | GLAZING | GLASS 6mm (1/4") TO 13mm (1/2") | |
| 4 | BUTYL TAPE | BUTYL | ADTA1/8X3/8B |
| 5 | SEALANT | SILICONE | |
| 6 | TRIM RING | 6063 ALUMINUM | |
| 7 | TRIM SCREWS | S/S | |
| 8 | BEDDING COMPOUND | CUSTOMER TO SUPPLY | |



SECTION B-B WITH CLAMP IN INSTALLATION

| STANDARD DIMENSIONS | | |
|---------------------|----------------------|----------------|
| ID | DESCRIPTION | DIMENSION |
| A | FLANGE COVERAGE | 20mm (7/8") |
| B | EXTERIOR PROTRUSION | 25mm (1") |
| C | INTERIOR PROTRUSION | 36mm (1 7/16") |
| D | SPIGOT TO CLEAR OPEN | 17 mm (11/16") |
| E | FLANGE THICKNESS | 4mm (3/16") |



SECTION A-A WITH CLAMP IN INSTALLATION

NOTES:

- GENERAL HEEL TOLERANCE +0/-1/4" OVERALL
- AVAILABLE WITH 2 1/2"(63.5MM), 3" (76.2MM) OR MITERED CORNERS
- STANDARD MOUNTING HOLES ARE 3/16" WITH #10 COUNTERSUNK ON 6" NOMINAL CENTERS

DRAWING NUMBER

H200

DIAMOND SEA GLAZE MANUFACTURING LTD.
26995 GLOUCESTER WAY, LANGLEY B.C.
CANADA V4W 3Y3
TOLL FREE: 1-800-770-0455
PHONE: 604-607-0091
FAX: 604-607-0092

SCALE

NTS

BY

LD/RH



Diamond Sea Glaze

Crystal Clear. Rock Solid.

ITEM NAME

H200

REVISION

0

ITEM DESCRIPTION

COMMERCIAL DUTY HATCH

ALL DRAWINGS AND ANY ASSOCIATED INFORMATION HEREON CONTAIN PROPRIETARY AND/OR CONFIDENTIAL INFORMATION, AND SHALL NOT BE REPRODUCED, DISCLOSED OR SUBMITTED TO ANY THIRD PARTY WITHOUT PRIOR CONSENT FROM DIAMOND SEA GLAZE MANUFACTURING LTD.