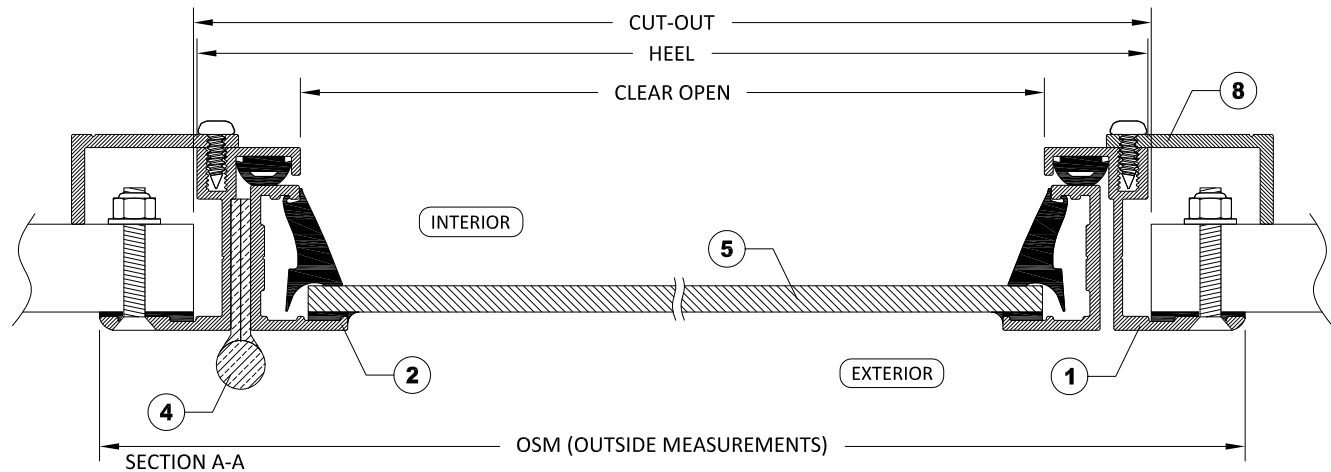
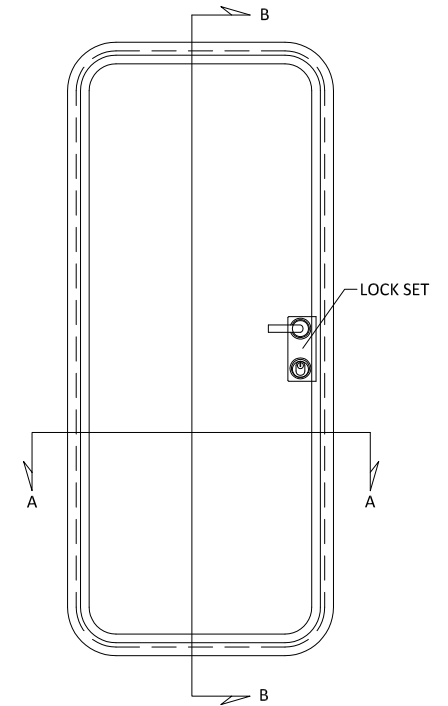


SECTION B-B

ITEMS			
ID	DESCRIPTION	MATERIAL	PART NUMBER
1	MOUNTING FRAME	6063 ALUMINUM	XXXXX
2	INSERT	6063 ALUMINUM	XXXXX
3	GASKET	EPDM GASKET	AD - GA7812
4	HINGE	STAINLESS STEEL HINGE	XXXXX
5	INSERT	GLASS 6mm (1/4")	
6	FULCRUM GLAZING	SANTOPRENE	XXXXX
7	BEDDING COMPOUND		
8	TRIM RING	6063 ALUMINUM	
9	SEALANT		
10	BUTYL TAPE	SILICONE	ADTA1/8X3/8B

STANDARD DIMENSIONS

ID	DESCRIPTION	DIMENSION
A	FLANGE COVERAGE	22mm (7/8")
B	EXTERIOR PROTRUSION	3mm (1/8")
C	INTERIOR PROTRUSION	39mm (1 9/16")
D	SPIGOT TO CLEAR OPEN	24mm (15/16")
E	FLANGE THICKNESS	3mm (1/8")



SECTION A-A

NOTES:

- GENERAL HEEL TOLERANCE +0/-1/4" OVERALL
- AVAILABLE WITH 3 1/2"(90mm) RADIUS OR MITERED CORNERS
- STANDARD MOUNTING HOLES ARE 1/4" WITH #18 COUNTERSUNK ON 16" NOMINAL CENTERS

DRAWING NUMBER

D55AG

DIAMOND SEA GLAZE MANUFACTURING LTD.
26995 GLOUCESTER WAY, LANGLEY B.C.
CANADA V4W 3Y3
TOLL FREE: 1-800-770-0455
PHONE: 604-607-0091
FAX: 604-607-0092

SCALE

NTS

BY

LD



Diamond Sea Glaze

Crystal Clear. Rock Solid.

ITEM NAME

D55AG DOOR

REVISION

0

ITEM DESCRIPTION

COMMERCIAL DUTY DOORS

ALL DRAWINGS AND ANY ASSOCIATED INFORMATION HEREON CONTAIN PROPRIETARY AND/OR CONFIDENTIAL INFORMATION, AND SHALL NOT BE REPRODUCED, DISCLOSED OR SUBMITTED TO ANY THIRD PARTY WITHOUT PRIOR CONSENT FROM DIAMOND SEA GLAZE MANUFACTURING LTD.