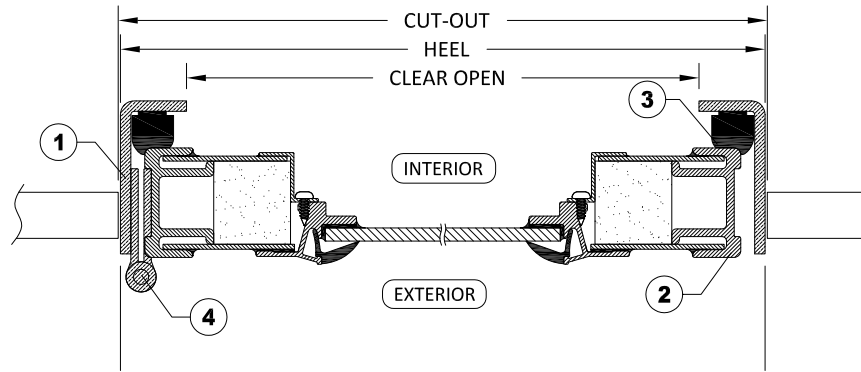


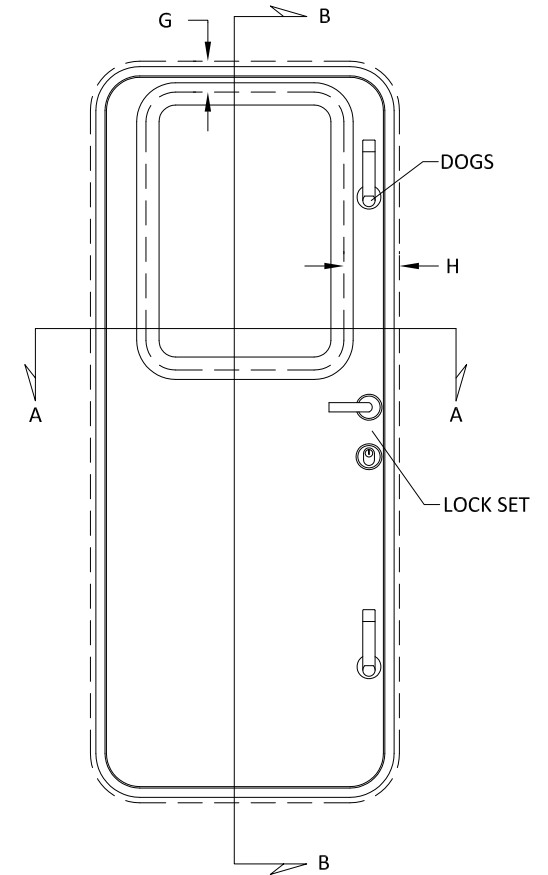
SECTION B-B

ITEMS			
ID	DESCRIPTION	MATERIAL	PART NUMBER
1	MOUNTING FRAME	12GA MILD STEEL	
2	INSERT	6063 ALUMINUM	MT - EX780142
3	GASKET	EPDM GASKET	
4	HINGE	STAINLESS STEEL HINGE	HW - HI6305
5	DOOR WINDOW	OPTIONAL	
6	INSERT PANEL	0.090 ALUMINUM	MT - SH5X12.091
7	SEALANT	SILICONE	AD - SI7100
8	INSULATION	1 1/2" KOROLITE	MT - MI4141

STANDARD DIMENSIONS		
ID	DESCRIPTION	DIMENSION
A	FLANGE COVERAGE	N/A
B	EXTERIOR PROTRUSION	4mm (3/16")
C	INTERIOR PROTRUSION	70mm (2 3/4")
D	SPIGOT TO CLEAR VIEW	30mm (1 3/16")
E	FLANGE THICKNESS	N/A
F	INSERT THICKNESS	43mm (1 3/4")
G	WINDOW TO DOOR CUT OUT	64mm (2 1/2")
H	WINDOW TO DOOR CUT OUT WITH DOGS	114mm (4 1/2")



SECTION A-A



NOTES:

- GENERAL HEEL TOLERANCE +0/-1/4" OVERALL
- AVAILABLE WITH 4"(102mm) RADIUS OR MITERED CORNERS
- STANDARD MOUNTING HOLES ARE 1/4" WITH #18 COUNTERSUNK ON 16" NOMINAL CENTERS

DRAWING NUMBER 250 ANGLE FORMED STEEL

DIAMOND SEA GLAZE MANUFACTURING LTD.
26995 GLOUCESTER WAY, LANGLEY B.C.
CANADA V4W 3Y3
TOLL FREE: 1-800-770-0455
PHONE: 604-607-0091
FAX: 604-607-0092

dSg Diamond Sea Glaze
Crystal Clear. Rock Solid.

ITEM NAME 250 ANGLE FORMED STEEL REVISION 0

ITEM DESCRIPTION COMMERCIAL DUTY DOORS

ALL DRAWINGS AND ANY ASSOCIATED INFORMATION HEREON CONTAIN PROPRIETARY AND/OR CONFIDENTIAL INFORMATION, AND SHALL NOT BE REPRODUCED, DISCLOSED OR SUBMITTED TO ANY THIRD PARTY WITHOUT PRIOR CONSENT FROM DIAMOND SEA GLAZE MANUFACTURING LTD.