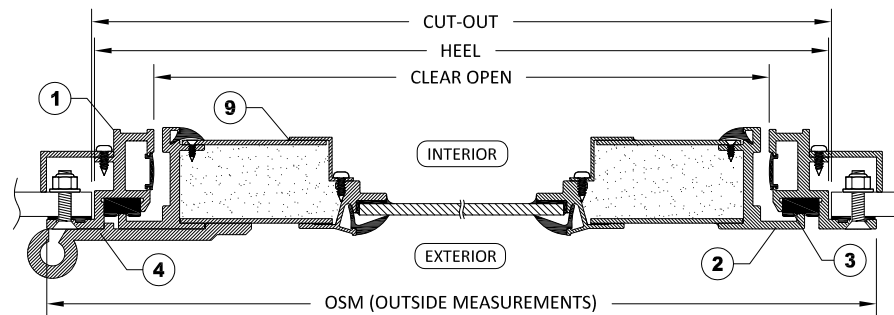


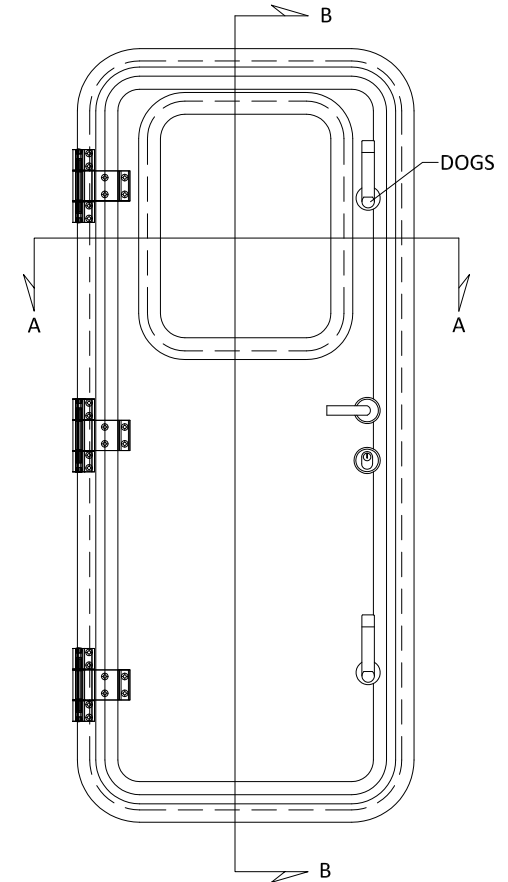
SECTION B-B

ITEMS			
ID	DESCRIPTION	MATERIAL	PART NUMBER
1	MOUNTING FRAME	6063 ALUMINUM	MTEX785800
2	INSERT	6063 ALUMINUM	MTEX785801
3	GASKET	EPDM GASKET	ADGA7819
4	HINGE	6063 ALUMINUM HINGE	
5	DOOR WINDOW	OPTIONAL	
6	INSERT PANEL	0.090 ALUMINUM 5052	MTALS052.09
7	BEDDING COMPOUND		
8	TRIM RING	6063 ALUMINUM	
9	SEALANT	SILICONE	AD - SI7100
10	INSULATION	1 1/2" KOROLITE	MTMI4141

STANDARD DIMENSIONS		
ID	DESCRIPTION	DIMENSION
A	FLANGE COVERAGE	25mm (1")
B	EXTERIOR PROTRUSION	5mm (3/16")
C	INTERIOR PROTRUSION	47mm (1 7/8")
D	SPIGOT TO CLEAR VIEW	31mm (1 1/4")
E	FLANGE THICKNESS	5mm (3/16")
F	INSERT THICKNESS	53mm (2 1/16")



SECTION A-A



NOTES:

- GENERAL HEEL TOLERANCE +0/-1/4" OVERALL
- AVAILABLE WITH 4"(102mm) RADIUS OR MITERED CORNERS
- STANDARD MOUNTING HOLES ARE 1/4" WITH #18 COUNTERSUNK ON 16" NOMINAL CENTERS

DRAWING NUMBER

200

DIAMOND SEA GLAZE MANUFACTURING LTD.
26995 GLOUCESTER WAY, LANGLEY B.C.
CANADA V4W 3Y3
TOLL FREE: 1-800-770-0455
PHONE: 604-607-0091
FAX: 604-607-0092

SCALE

NTS

BY

RH



Diamond Sea Glaze

Crystal Clear. Rock Solid.

ITEM NAME

200 DOOR

REVISION

0

ITEM DESCRIPTION

COMMERCIAL DUTY DOORS

ALL DRAWINGS AND ANY ASSOCIATED INFORMATION HEREON CONTAIN PROPRIETARY AND/OR CONFIDENTIAL INFORMATION, AND SHALL NOT BE REPRODUCED, DISCLOSED OR SUBMITTED TO ANY THIRD PARTY WITHOUT PRIOR CONSENT FROM DIAMOND SEA GLAZE MANUFACTURING LTD.