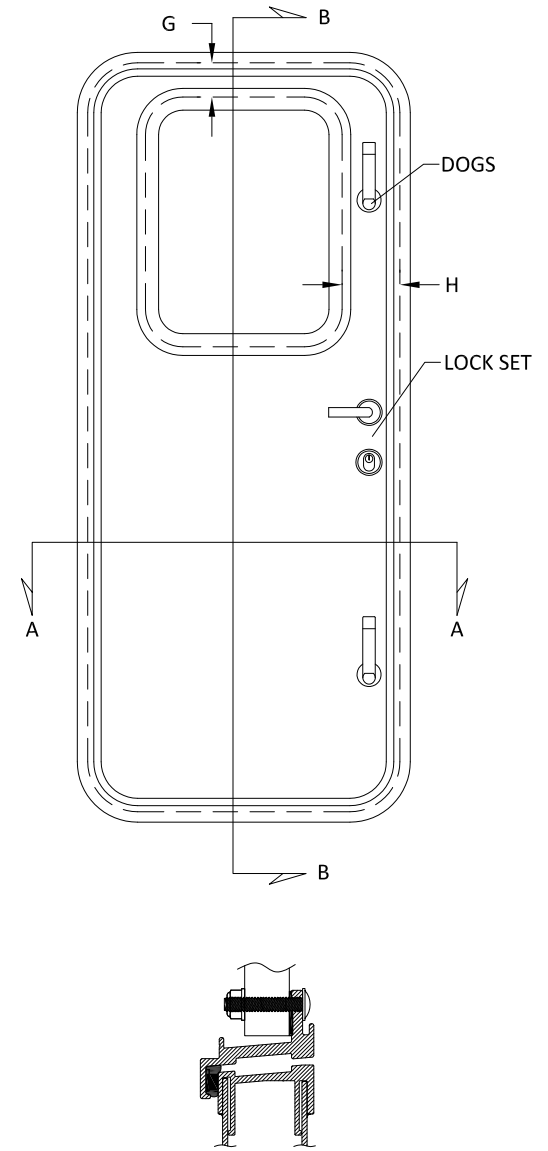
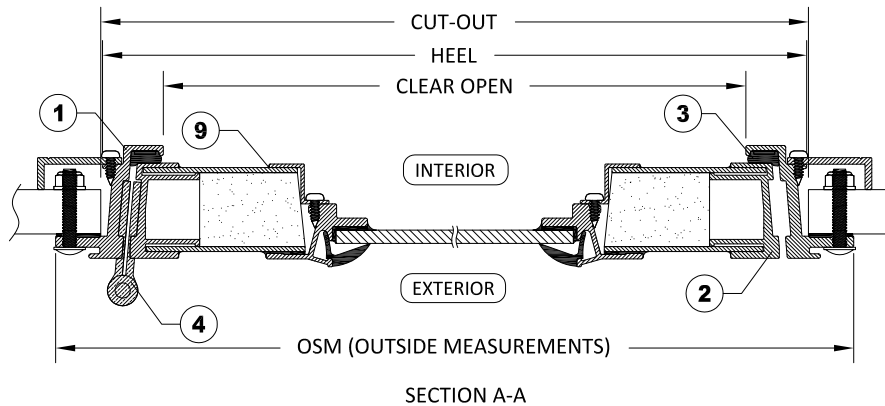


ITEMS			
ID	DESCRIPTION	MATERIAL	PART NUMBER
1	MOUNTING FRAME	6063 ALUMINUM	MT - EX780598
2	INSERT	6063 ALUMINUM	MT - EX654179
3	GASKET	EPDM GASKET	AD - GA7812
4	HINGE	STAINLESS STEEL HINGE	HW - HI6305
5	DOOR WINDOW	OPTIONAL	
6	INSERT PANEL	1/16" ALUMINUM	MT - SH4X12.091
7	BEDDING COMPOUND		
8	TRIM RING	6063 ALUMINUM	
9	SEALANT	SILICONE	AD - SI7100
10	INSULATION	1 5/16" KOROLITE	AD - SI7100

STANDARD DIMENSIONS		
ID	DESCRIPTION	DIMENSION
A	FLANGE COVERAGE	21mm (13/16")
B	EXTERIOR PROTRUSION	10mm (3/8")
C	INTERIOR PROTRUSION	41mm (1 5/8")
D	SPIGOT TO CLEAR VIEW	28mm (1 1/8")
E	FLANGE THICKNESS	5mm (3/16")
F	INSERT THICKNESS	38mm (1 1/2")
G	WINDOW TO DOOR CUT OUT	70mm (2 3/4")
H	WINDOW TO DOOR CUT OUT WITH DOGS	117mm (4 5/8")



NOTES:

- GENERAL HEEL TOLERANCE +0/-1/4" OVERALL
- AVAILABLE WITH 3 1/2"(90mm) RADIUS OR MITERED CORNERS
- STANDARD MOUNTING HOLES ARE 1/4" WITH #18 COUNTERSUNK ON 16" NOMINAL CENTERS

DRAWING NUMBER

150

DIAMOND SEA GLAZE MANUFACTURING LTD.
26995 GLOUCESTER WAY, LANGLEY B.C.
CANADA V4W 3Y3
TOLL FREE: 1-800-770-0455
PHONE: 604-607-0091
FAX: 604-607-0092

SCALE

NTS

BY

LD



Diamond Sea Glaze

Crystal Clear. Rock Solid.

ITEM NAME

150 DOOR

REVISION

0

ITEM DESCRIPTION

COMMERCIAL DUTY DOORS

ALL DRAWINGS AND ANY ASSOCIATED INFORMATION HEREON CONTAIN PROPRIETARY AND/OR CONFIDENTIAL INFORMATION, AND SHALL NOT BE REPRODUCED, DISCLOSED OR SUBMITTED TO ANY THIRD PARTY WITHOUT PRIOR CONSENT FROM DIAMOND SEA GLAZE MANUFACTURING LTD.