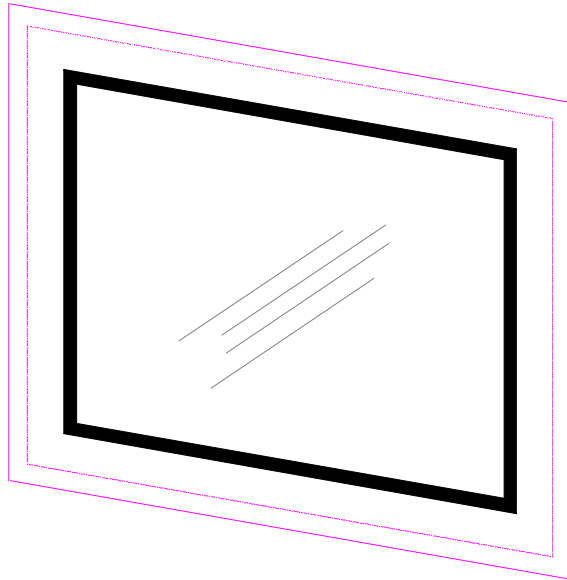
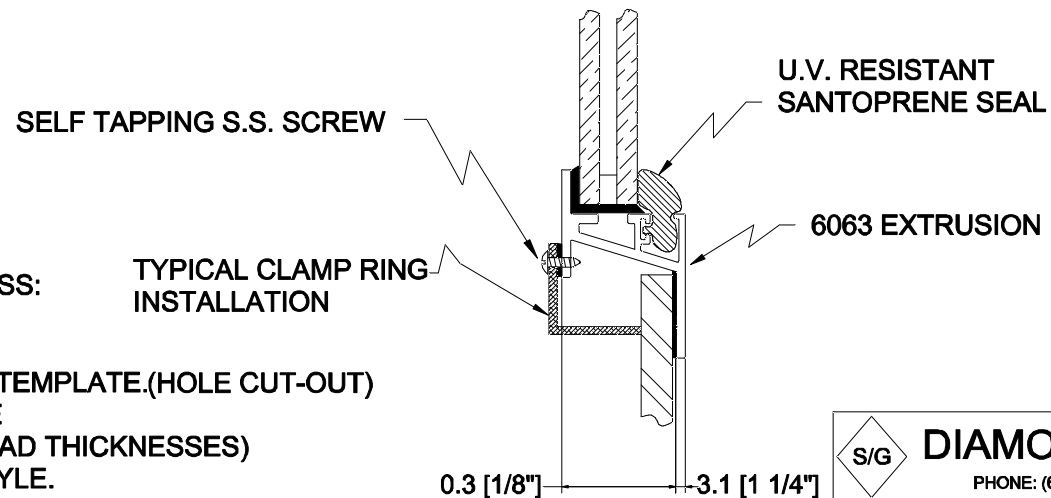
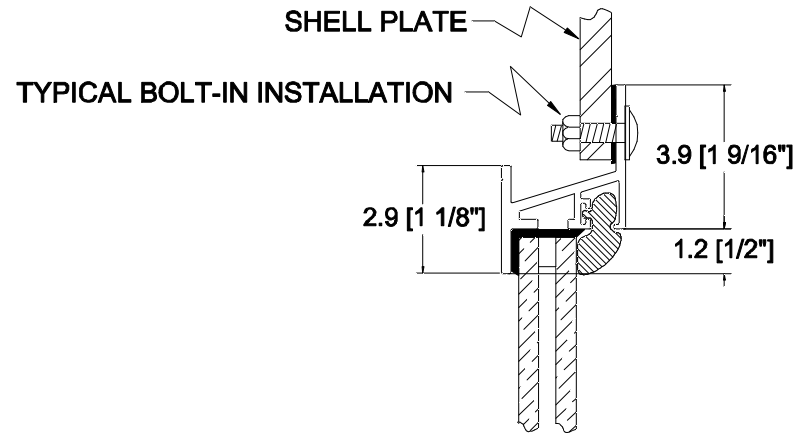


100F THERMO WINDOWS

AVAILABLE IN
MITRED CORNERS ONLY



**INSULATED
SEALED UNIT
SERIES**



GENERAL NOTES

- 1) SPECIFY GLAZING, TYPE, AND TINT. THICKNESS: 19mm(3/4") SEALED UNITS.
- 2) MITRED CORNERS ONLY.
- 3) SPECIFY PLATE CUT DIMENSION OR SUPPLY TEMPLATE.(HOLE CUT-OUT)
- 4) SPECIFY BOLT-IN OR CLAMP-IN STYLE FRAME
(CLAMP RINGS AVAILABLE FOR MOST BULKHEAD THICKNESSES)
- 5) SPECIFY WALL THICKNESS FOR CLAMP-IN STYLE.
- 6) FASTENERS FOR BOLT-IN STYLE BY SHIPYARD.
- 7) SPECIFY INSIDE OR OUTSIDE VIEW.
- 8) SPECIFY MILL FINISH OR PAINTED FRAMES.
- 9) SPECIFY TOP.

S/G	DIAMOND/SEA-GLAZE			
	PHONE: (604) 607-0091 FAX: (604) 607-0092			
DRAWN	DATE	NAME	PROJECT	CLIENT
REVISION	27/SEPT/01	GC		
	11/08/04	JH		
SCALE	TITLE	SERIES 100F, INSULATED		DWG. NO.
NTS	SEALED UNIT FIXED WINDOWS			100FT.DWG